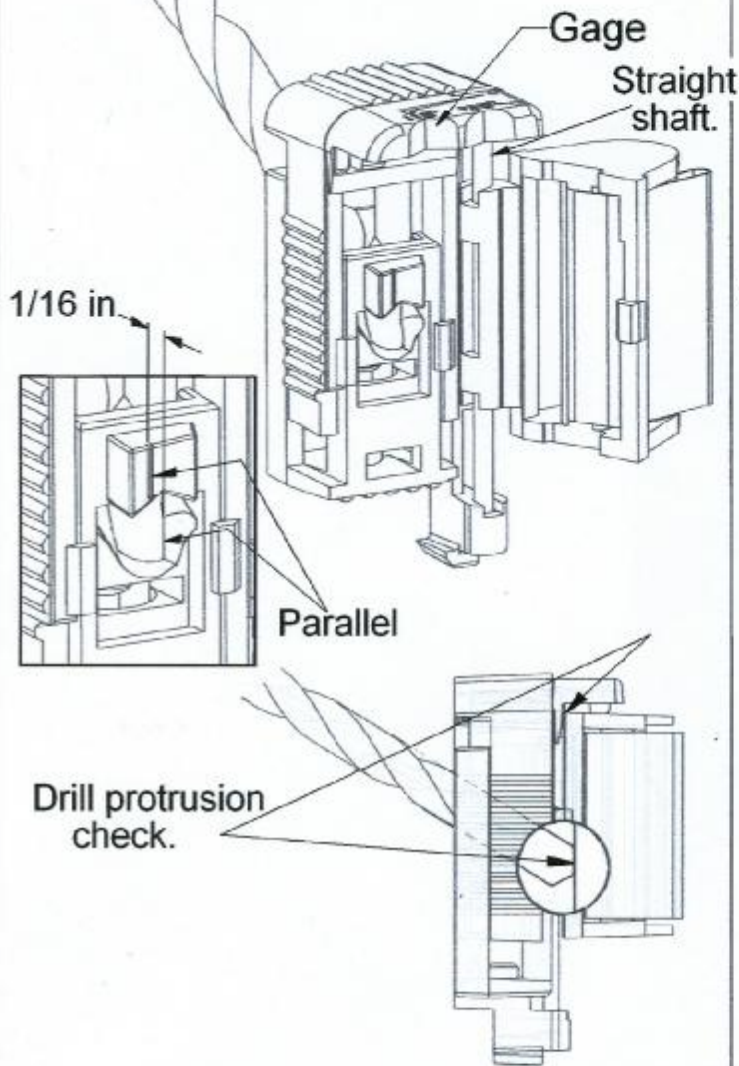
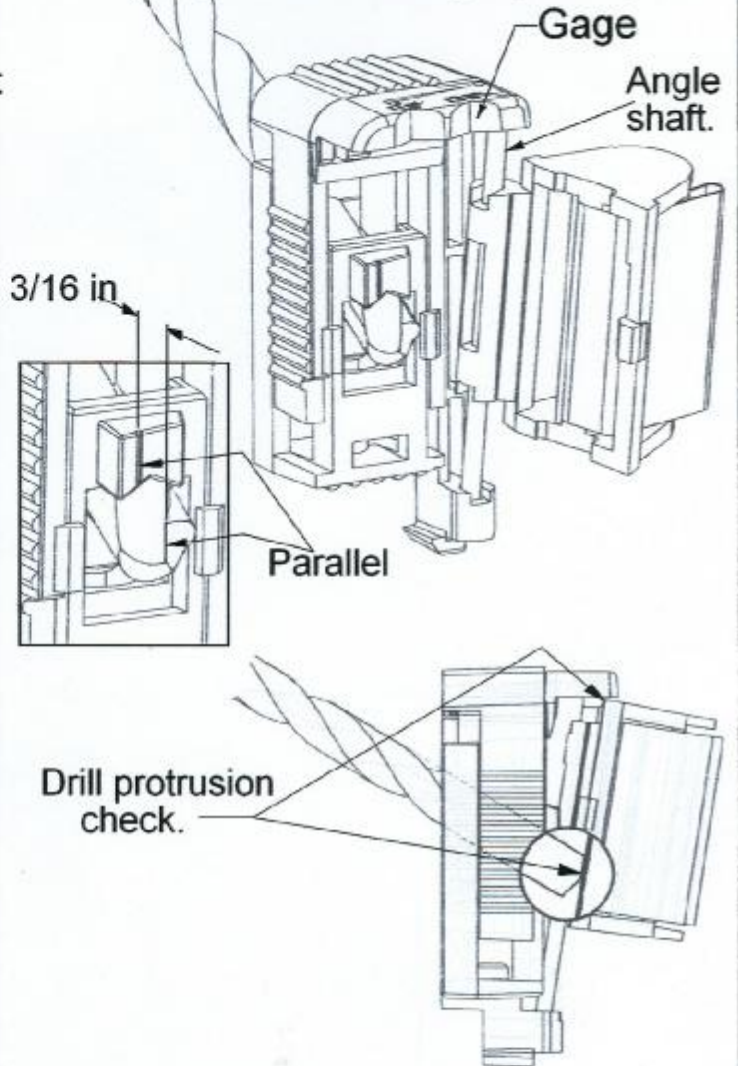


DrillGadget Instructions

118 Degree Bits



135 Degree Bits Including Split Tip



Helpful hints:

- 1-With a pen, blacken the tip of the bit to make it easier to evaluate the dressing process
- 2-Try to keep the removal of material somewhat even from side to side, thus keeping the chisel point centered.
- 3-Glasses or a magnifier will be helpful when dressing small bits.
- 4- If the bit has been grossly dulled by concrete or other improper use, hand ground so it tip geometry has been compromised or bent or broken, it has to be re-ground or discarded.
- 5-Dressing with only downward strokes works best with drills under 3/16 inch.
- 6-Only aluminum oxide paper is recommended.
- 7-Use a very fine paper for honing already sharp drill bits.

Safety:

- 1- Micro particles of steel and aluminum oxide will always be present. Be careful blowing or brushing them off.
- 2- Keep the tool away from children or anyone else who may pinch themselves with the spring loaded chuck.
- 3- Always wear safety glasses when using any type of tool.

Guarantee

This tool is guaranteed against manufacturing defects and failure to function from normal use. Patent Pending L.Douglas,LLC

PRAZI USA
P.O. Box 1165
Plymouth, Ma 02362
1-800-262-0211
www.praziusa.com