

Dovetails

Precision Box

Dowel Joints

Mortise

Random Box

- CREATE YOUR OWN PATTERNS
- UNLIMITED PROJECT SIZE

PRAZI USA

ChestMate™

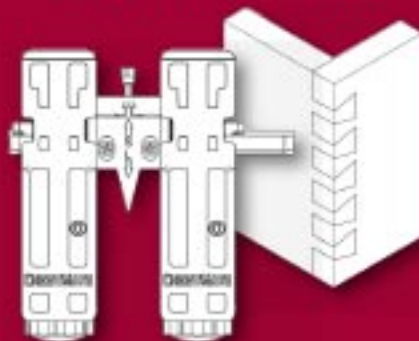
Woodcrafter's Joinery

The unique and versatile joinery system.

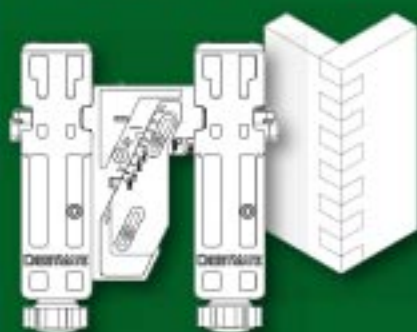
- Project boards can be as large as you'd like.
- Spacing dimension between pins and tails is not limited.
- Back up for cuts prevents tearout.
- Simple instructions. DVD included.
- Editorially featured in many magazines.
- Story board and inserts allow creativity.

WOOD
MAGAZINE
**HOT NEW
TOOLS**
2008

Make Through Dovetails
14 degrees and 7 degrees



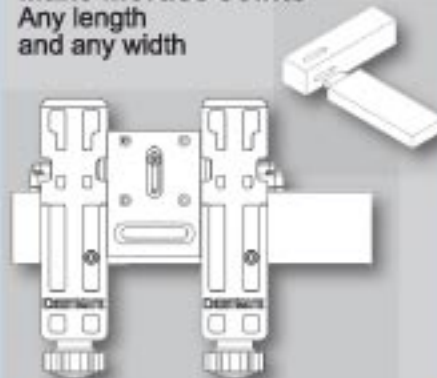
Make Precision Box Joints
4 sizes: 3/8, 1/2, 5/8, 3/4



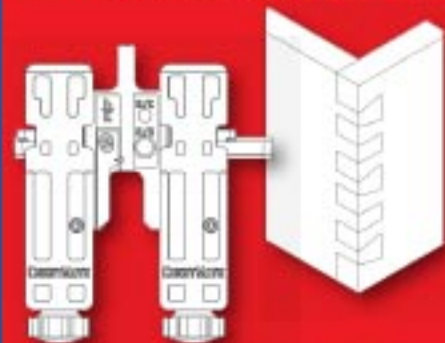
Make Dowel Joints
Any spacing on
any length board



Make Mortise Joints
Any length
and any width



Make Random Spaced Box Joints
2 sizes: 1/2 and 3/4



Required Tools:

- 3/4" or 1/2" router with 6" diameter base
- 3/8" straight cutter bit · 3/4" 14 degree or 3/4" 7 degree dovetail cutter bit
- 3/4" diameter follower bushing
- 3/4" straight cutter for cutting box joints

Manufactured and distributed exclusively by Prazi USA
Part # PK3900 U.S. Patent Pending L. Douglas, LLC
www.praziusa.com Made in China

ChestMate™

www.praziusa.com

Phone: 1-800-262-0211