

ChestMate™ Dovetail Jig

Through Dovetails as Easy as 1-2-3

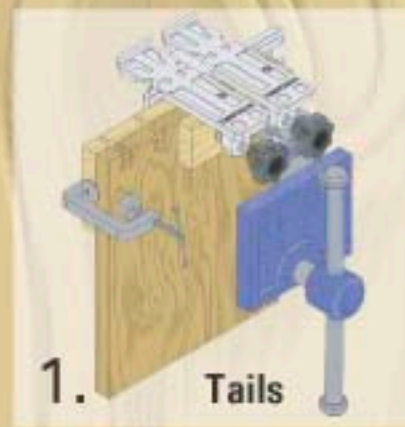
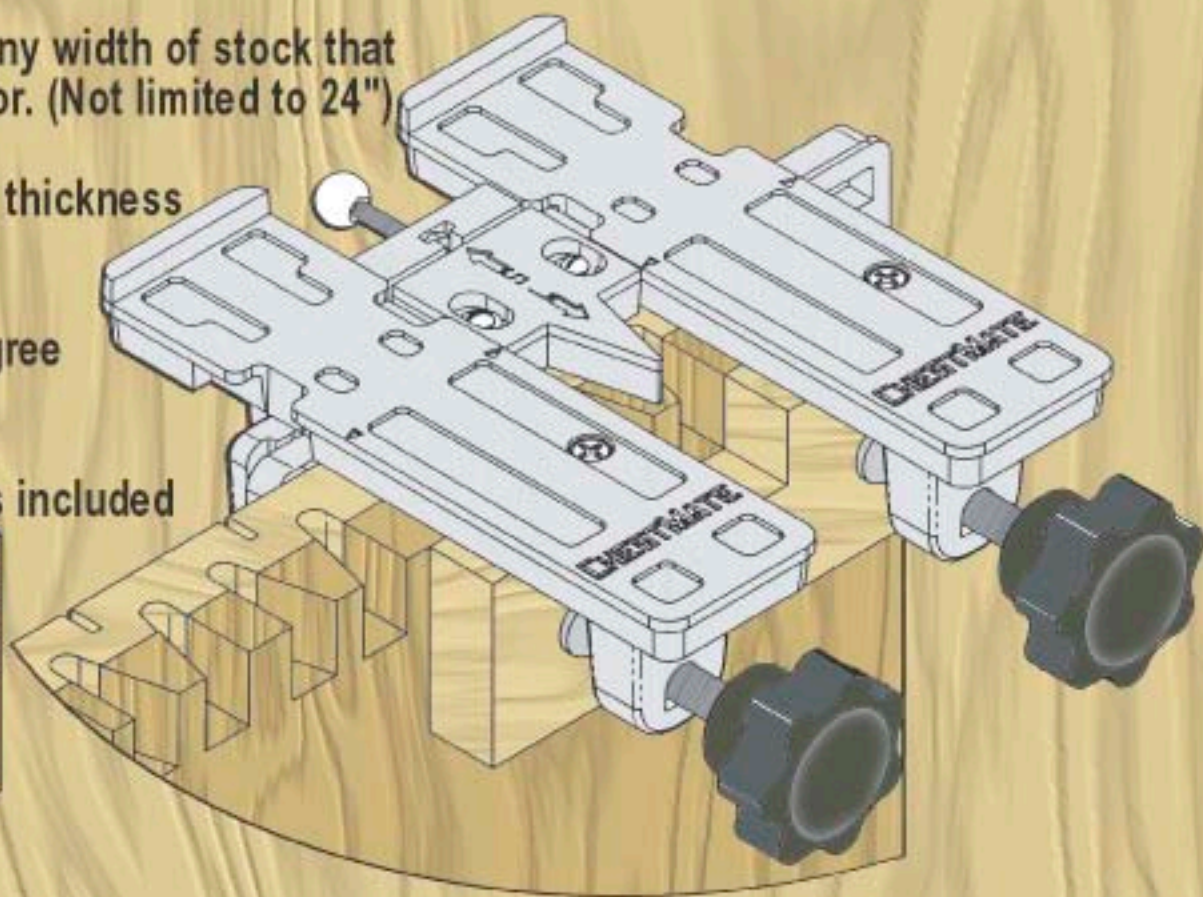
*Create your own pattern of dovetail arrangements

*Can be used with any width of stock that your project calls for. (Not limited to 24")

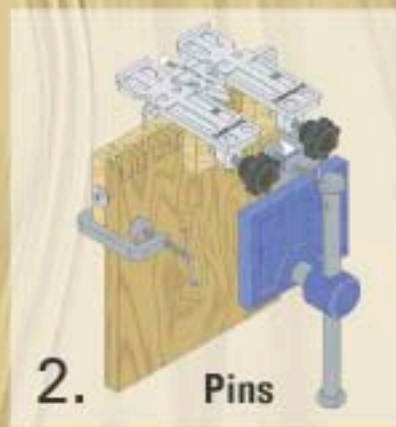
*Designed for stock thickness of 1/2"-1"

*Creates 3/4" 14 degree Through Dovetails

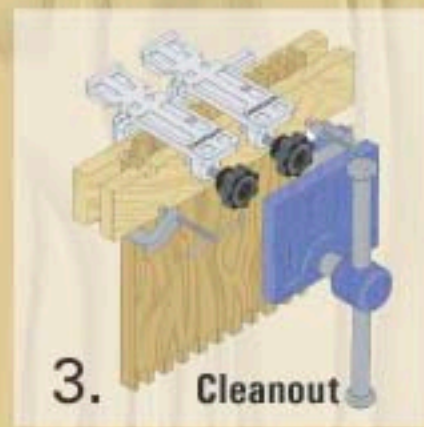
*Simple instructions included



1. Tails



2. Pins



3. Cleanout

Tools Required:

*1/4" or 1/2" router with 6" diameter base

*5/8" diameter follower bushing

*3/4" 14 degree dovetail cutter bit

*5/16" straight cutter bit

*Bench vise & clamps

Model # PR-3900

Patents Pending

PRAZI USA

PO Box 1165

Plymouth MA 02360

phone: 800-262-0211

www.praziusa.com